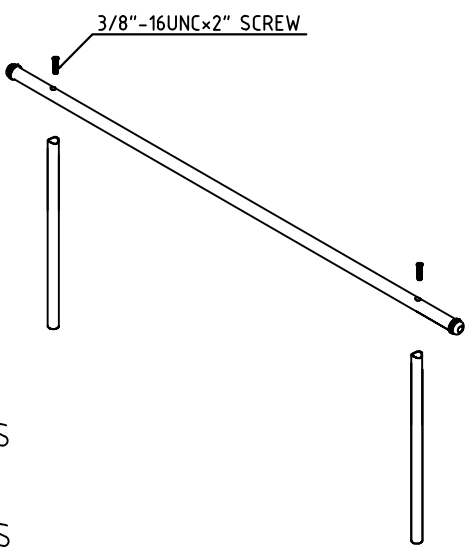



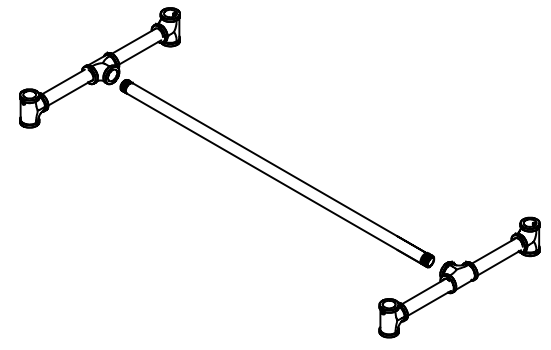


PL-KH
Assembling Process
STP1

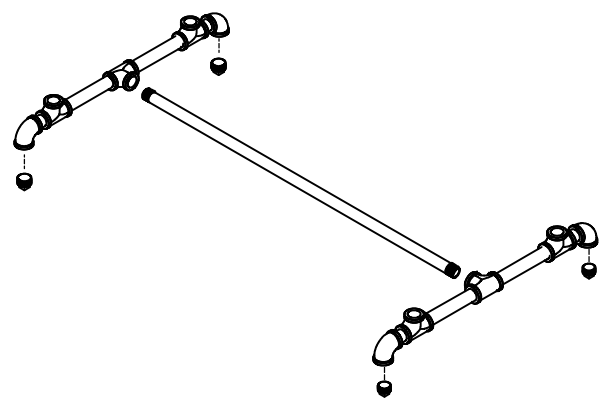


-  3/8"-16UNCx2" 2 PCS
-  1/2"-12UNCx2.5" 4 PCS
-  4 PCS

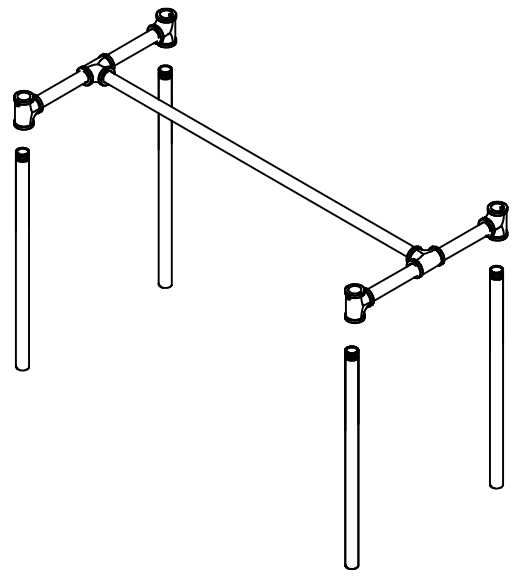
STP2



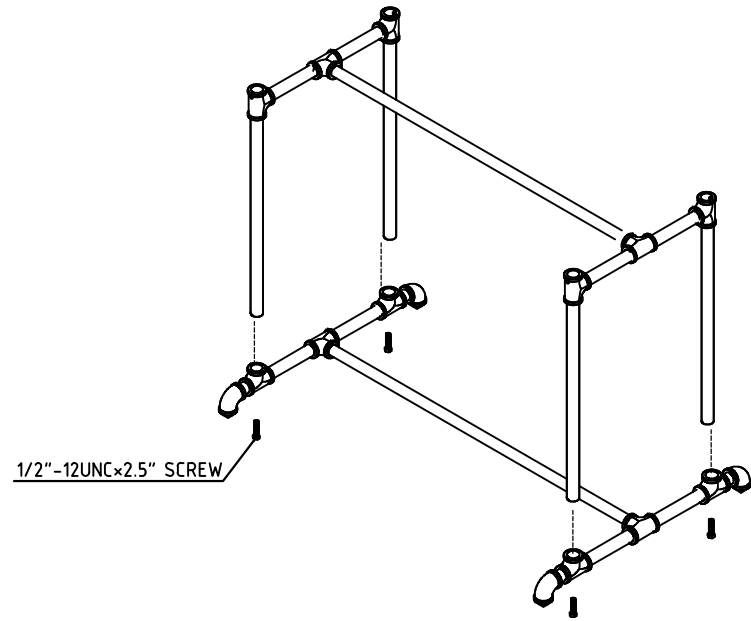
STP3



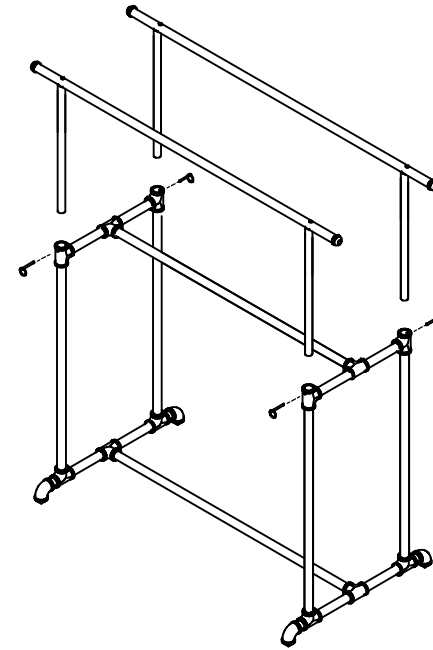
STP4



STP5



STP6



STP7

